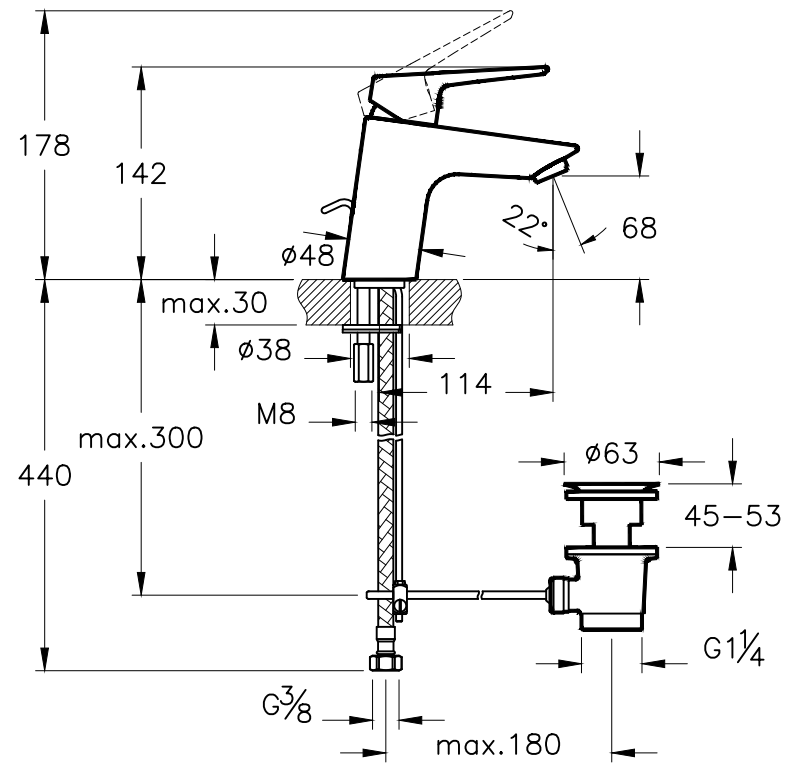


Theoretic Mass(kg)		Revision	
Surface Area(dm ²)		A4	

Thread	Hole	Shaft



R.S	Description	Date	NAME

1	1	Diana Lavabo Bataryasi - Sifon Kum.		A42441DI		
item	Quantity	Part Name		Drawing No	Material	Material Class
		Series	Material	Material Class		
		DIANA	Diana Lavabo Bataryasi - Sifon Kum.			
Drawn By	Controlled By	Approved By	Date	Drawing No	Scale	VitrA[®] ARTEMA
F.SENCONCA	O.CINAR	E. TALSİK	21.02.2019	A42441DI	1/5	

This drawing can only be used for the intended purposes. Unauthorized copying is strictly prohibited.